



a Geberit company

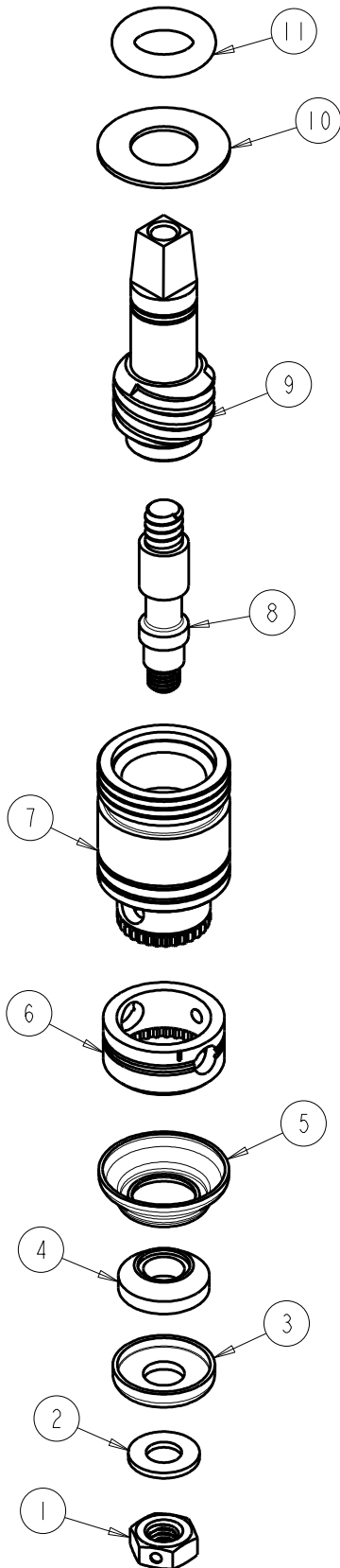
2100 South Clearwater Drive
Des Plaines, IL 60018
Phone: 847-803-5000
Fax: 847-803-5454
www.chicagofaucets.com

FOR TECHNICAL ASSISTANCE
1-800-TEC-TRUE (1-800-832-8783)

REPAIR PARTS

BY: SID DATE: 07-29-15
CHK: *SR* REV:

FITTING NO.	1-100-245JKABNF
SUBMITTED MODEL NO.	
ITEM NO.	



ITEM	PART NO.	DESCRIPTION
1	333-097JKABNF	NUT
2	1-031JKABNF	WASHER, STEM
3	1-022JKABNF	WASHER, RETAINER
4	1-021JKNF	WASHER, SEAT
5	1-027JKABNF	SEAT
6	-----	SLEEVE
7	2-228JKABRBF	SLEEVE
8	-----	STEM, LOWER UNIT
9	-----	STEM, LH UNIT
10	93-031JKABRBF	BRASS WASHER .675 O.D. X .411 I.D.
11	1-519JKABNF	O-RING, .359 X .139