

# PARTS LIST

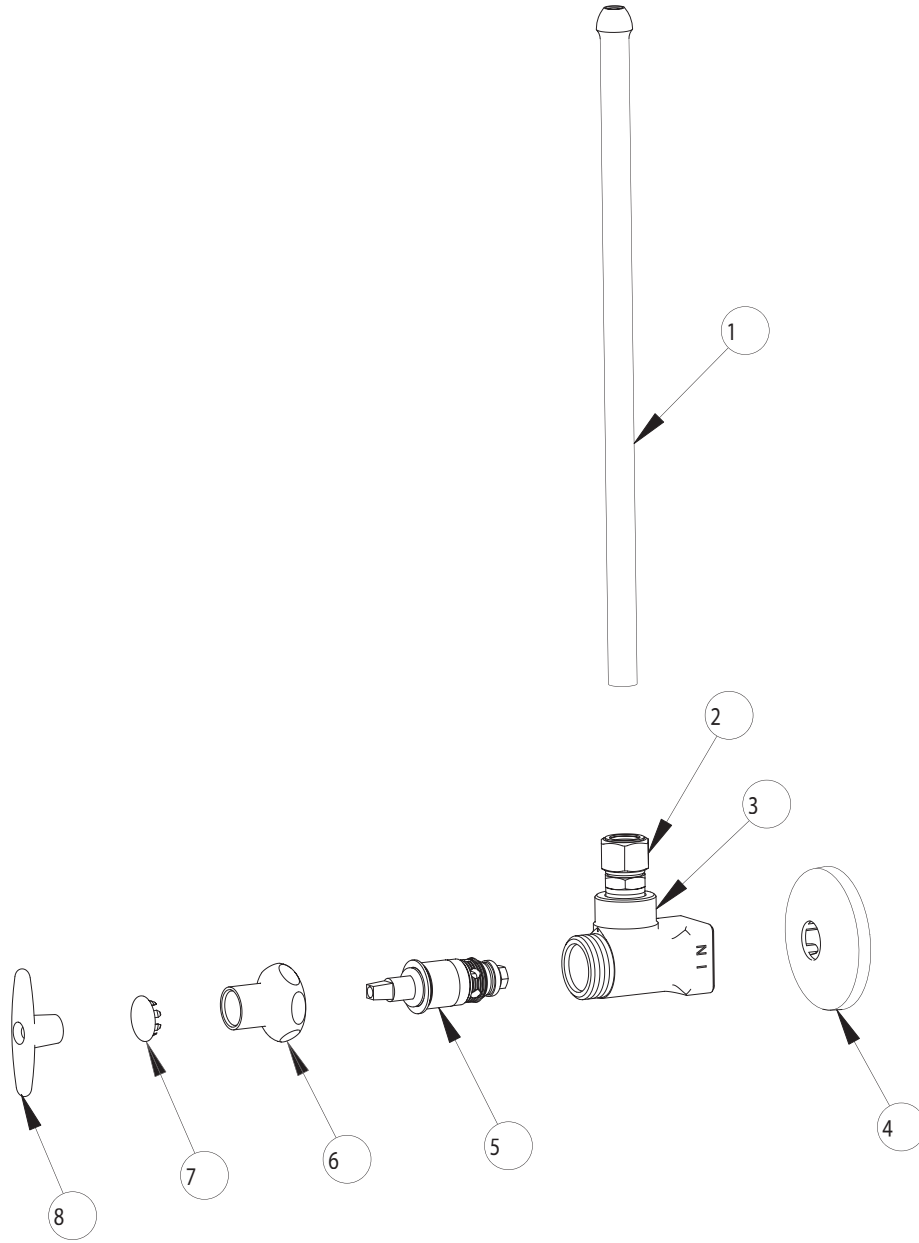
BY: SID  
CHK'D:



FINISH:  
DATE:

AS SPECIFIED  
11-02-01

1005



ITEM NO.	PART NO.	DESCRIPTION	ITEM NO.	PART NO.	DESCRIPTION
1	1003-001	SUPPLY TUBE	5	217XTLH	SLO-COMPRESSION UNIT (LH)
2	-----	COMPRESSION FITTING	6	1-246	LOOSE KEY CAP
3	-----	VALVE BODY (NOT SOLD SEPARATELY)	7	1-144	BUTTON
4	1003-002	WALL FLANGE	8	293-006	TEE HANDLE