

CHICAGO FAUCETS 

a Geberit company

2100 South Clearwater Drive
Des Plaines, IL 60018
Phone: 847-803-5000
Fax: 847-803-5454
www.chicagofaucets.com

FOR TECHNICAL ASSISTANCE
1-800-TEC-TRUE (1-800-832-8783)

REPAIR PARTS

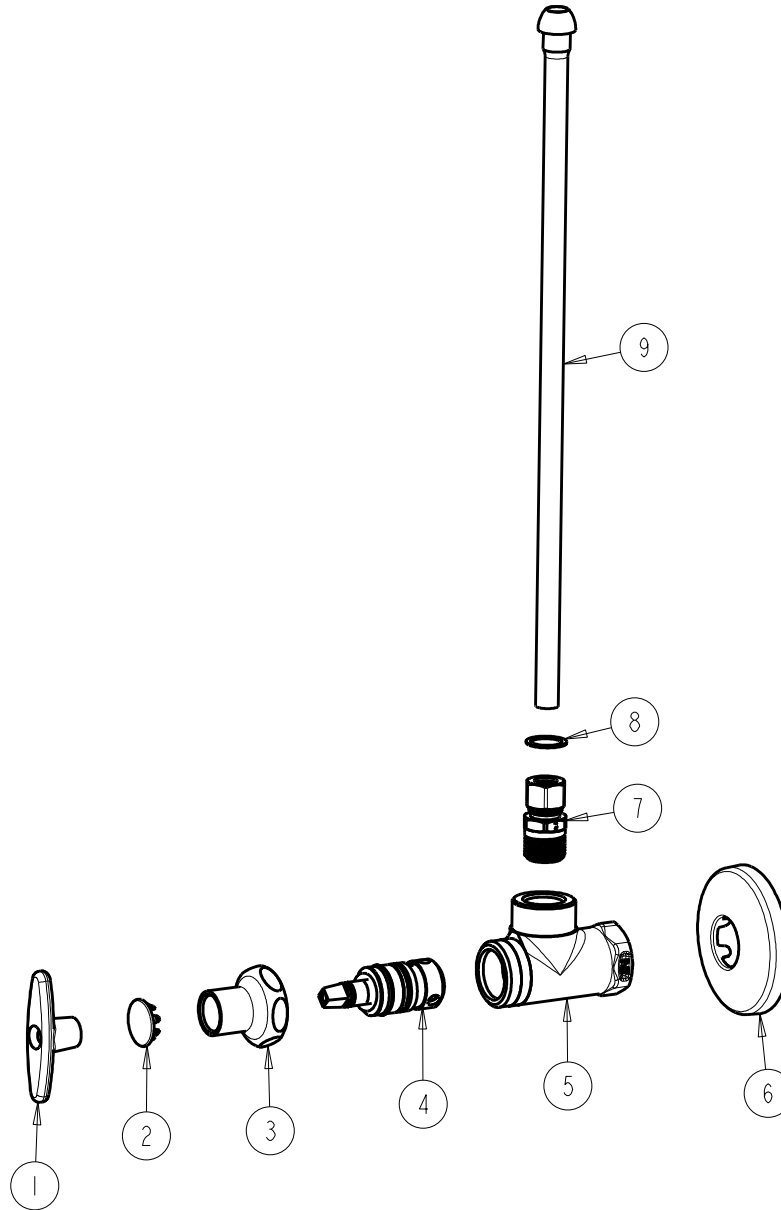
BY: JAR DATE: 06-08-15
CHK: *JAR* REV:

FITTING NO.

1017-CSTABCP

SUBMITTED MODEL NO.

ITEM NO.



ITEM	PART NO.	DESCRIPTION
1	293-006JKRCF	TEE HANDLE (INCLUDES SCREW)
2	1-144JKCP	BUTTON
3	1-246JKCP	NUT, CAP LOOSE KEY 1-1/8-18 UNEF
4	376-CXSTJKABNF	SLO-COMP STEAM INTEGRAL CHECK UNIT
5	-----	VALVE BODY (NOT SOLD SEPARATELY)
6	749-016JKCP	FLANGE
7	1022-007KJKABRCF	COMP. FITTING 3/8 TUBE X 3/8 NPT
8	250-027JKRBF	BRASS WASHER
9	1016-001JKRCF	FLEXIBLE TUBE 3/8 X 11-7/8