

121-ABNF Thermostatic Mixing Valve

Size: 3/8" (10mm)

**CHICAGO
FAUCETS**

a Geberit company

DESCRIPTION

The 121-ABNF 3/8" (10mm) compression fitting thermostatic mixing valve maintains and limits hot water to a desired selectable temperature between 80°F and 120°F (27°C and 49°C) and with flow rates as low as 0.5 gpm (1.9 lpm). The mixing valve is listed to ASSE Standard 1070 for single fixture applications. The 121-ABNF series uses a double throttling design to control both the hot and cold water supply to the mixed outlet. The superior flow characteristics of this valve provides accurate temperature control ($\pm 3^\circ\text{F}$) with low pressure drop. As an added feature, the 121-ABNF incorporates dual check valves to protect against cross-flow and integral screens to filter out debris. A cap is provided for three-port application.



TEMPERATURE ADJUSTMENT

1. Loosen the cap screw with the hex wrench provided.
2. As a safety feature the cap must be partially lifted from the valve to adjust temperature.
3. With the faucet turned on and in the full hot position, adjust the setting of the valve to obtain the desired outlet water temperature. Turn clockwise to decrease temperature.
4. Lower handle and tighten screw.
5. Check outlet temperature.

Note: The hot water should be allowed to flow for two or three minutes prior to adjusting the valve setting in order to have the hottest inlet temperature flowing through the valve.

APPLICATIONS

The unit is intended for under sink installation to control the hot water temperature and prevent accidental scalding. The water temperature must be adjusted by the installer using a thermometer to measure the hot water temperature at the faucet outlet. Maximum temperature of 110°F (43°C) is recommended.

Application Note

Delivery of water to fixtures intended for hand washing should always be controlled by valves listed to ASSE 1070. Thermostatic valves provide the user with both scald protection and protection from thermal shock. These valves should always be adjusted after installation to desired temperature.

PRESSURE - TEMPERATURE

Minimum supply pressure: 30psi (207kPa)

Hot inlet temperature: 120°F-180°F (49°C-82°C)

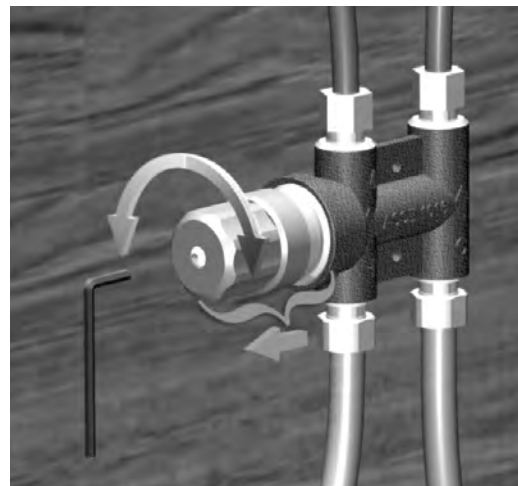
Cold inlet temperature: 40°F-85°F (4°C-29°C)

Minimum inlet temperature differential: 15°F (9°C)
(Hot inlet and mixed outlet)

Temperature out: 80°F-120°F (27°C-49°C)

Maximum pressure: 150psi (10.3 bar)

The pressure differential must be less than 20% between the hot and cold inlet supplies.



TEMPERATURE ADJUSTMENT

Approval: CSA B125 Certified

Listing: ASSE 1070

Compliant to: CA AB1953 and VT S.152

The 121-ABNF is manufactured by Watts Regulator as model number 3/8 LFUSG-B-M1



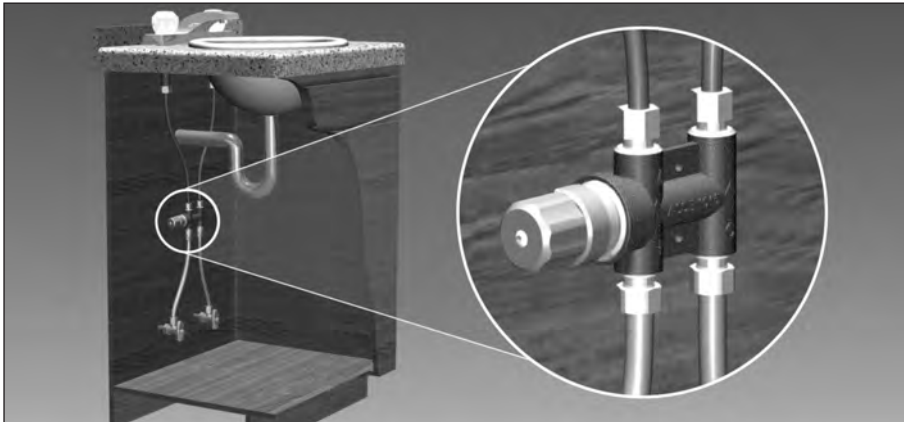
2100 South Clearwater Drive
Des Plaines, IL 60018
P: 847/803-5000
F: 847/803-5454
Technical: 800/TEC-TRUE
www.chicago faucets.com

121-ABNF Thermostatic Mixing Valve

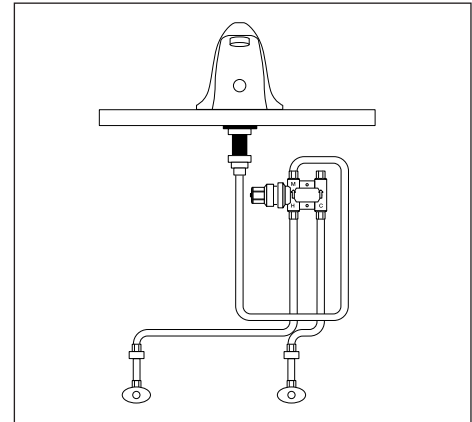


a Geberit company

TYPICAL INSTALLATIONS



TWO HANDLE FAUCET



SENSOR FAUCET

INSTALLATION INSTRUCTIONS

The 121-ABNF installs easily onto most faucets.

1. Shut off supply valves and remove existing piping to faucet.
2. Connect the 121-ABNF to the supply valves and the faucet.
3. Turn on the supply valves.

Notes: When using copper tubing, tubing should not extend more than 3/16" beyond the compression ferrule.

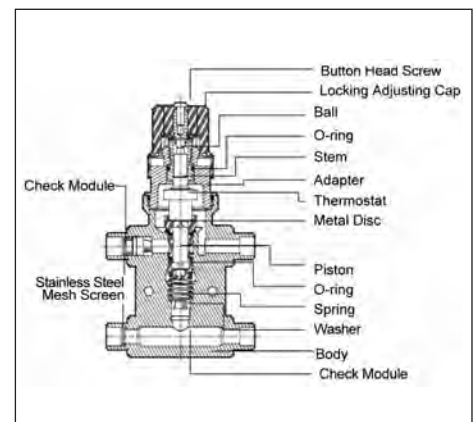
When installed with non-rigid supply hose connections please insure that the 121-ABNF thermostatic valve is installed in a fixed and rigid position to prevent any unintentional movement.

ATTENTION INSTALLER: After installation, please leave this Instruction Sheet for occupant's information. **IMPORTANT:** Inquire with governing authorities for local installation requirements.

California Proposition 65 Warning

WARNING: This product contains chemicals known to the state of California to cause cancer and birth defects or other reproductive harm. (California law requires this warning to be given to customers in the state of California).

BASIC CONSTRUCTION



CHICAGO FAUCETS LIMITED WARRANTY

TO WHOM DOES THIS WARRANTY APPLY?

The Company extends the following limited warranty to the original user only.

WHAT DOES THIS WARRANTY COVER AND HOW LONG DOES IT LAST?

This Product is warranted against material manufacturing defects for a period of one (1) year from the date of Product purchase.

OTHER WARRANTIES

All other Products not covered above are warranted against material manufacturing defects for a period of one (1) year from the date of Product purchase.

WHAT THIS WARRANTY DOES NOT COVER

The Company will not be liable for any labor, transportation or consequential expenses not specifically stated above. There is **NO WARRANTY** in cases of damage in transit, negligence, abuse, abnormal usage, misuse, accidents, normal wear and tear, damage due to environmental or natural elements, failure to follow the Company's instructions, unauthorized repair, incorrectly performed maintenance or repair, improper installation or storage or use of acidic, abrasive cleaning materials. In order for this Warranty to apply, Buyer must retain and provide to the Company receipts showing date of Product purchase and documenting proper maintenance. Any oral or written description of the Products is for the sole purpose of identifying the Products and shall not be construed as an express warranty. **THE COMPANY SHALL NOT BE LIABLE TO BUYER, OR TO ANYONE CLAIMING UNDER BUYER, FOR ANY OTHER OBLIGATIONS OR LIABILITIES, INCLUDING, BUT NOT LIMITED TO, OBLIGATIONS OR LIABILITIES ARISING OUT OF BREACH OF CONTRACT OR WARRANTY, NEGLIGENCE OR OTHER TORT OR ANY THEORY OF STRICT LIABILITY, WITH RESPECT TO THE PRODUCTS OR THE COMPANY'S ACTS OR OMISSIONS OR OTHERWISE. THE COMPANY AND BUYER AGREE THAT THE EXPRESS WARRANTIES DESCRIBED ABOVE ARE EXCLUSIVE AND IN LIEU OF ALL OTHER WARRANTIES. ALL OTHER EXPRESS WARRANTIES ARE DISCLAIMED. FOR COMMERCIAL PRODUCTS, ALL WARRANTIES IMPLIED BY LAW, INCLUDING WITHOUT LIMITATION THE IMPLIED WARRANTIES OF MERCHANTABILITY AND FITNESS FOR A PARTICULAR PURPOSE, ARE DISCLAIMED. FOR CONSUMER PRODUCTS, WARRANTIES IMPLIED BY LAW, INCLUDING THOSE OF MERCHANTABILITY AND FITNESS FOR A PARTICULAR PURPOSE, ARE EXPRESSLY LIMITED TO THE PERIOD OF THE EXPRESS LIMITED WARRANTY STATED ABOVE FOR THE RELEVANT PRODUCT.** Some States do not allow limitations on how long an implied warranty lasts, so the above limitation may not apply to you. Any assistance the Company provides to or procures for Buyer outside the terms, limitations or exclusions of this warranty will not constitute a waiver of the terms, limitations or exclusions of this limited warranty, nor will such assistance extend or revive the warranty. The Company will not reimburse Buyer for any expenses incurred by Buyer in repairing, correcting or replacing any defective Products, except for expenses incurred with the Company's prior written permission.

HOW TO GET SERVICE

For complete warranty details, or to provide notice of a warranty claim or request warranty service, contact your Chicago Faucets Sales Representative or The Chicago Faucet Company, Customer Service, 2100 S. Clearwater Drive, Des Plaines, Illinois 60018 or 847-803-5000. As the Company's sole and exclusive obligation under this warranty (and Buyer's sole and exclusive remedy), upon prompt written notice of breach from Buyer during the warranty period, the Company will either replace or repair the defective Product or refund the wholesale purchase price, at its option, if an inspection by the Company discloses defects in material or workmanship covered by this warranty. These warranty provisions do not cover the battery shipped with the electronic products.

LIMITATION ON DAMAGES

IN NO EVENT SHALL THE COMPANY BE LIABLE FOR INCIDENTAL, CONSEQUENTIAL, INDIRECT OR SPECIAL DAMAGES. WITHOUT LIMITING THE FOREGOING, THE COMPANY SHALL NOT BE LIABLE FOR ANY DAMAGE A PALM DEVICE OR ANY SOFTWARE OR RELATED EQUIPMENT ALLEGEDLY CAUSES TO A SYSTEM OR OTHERWISE. THE COMPANY'S AGGREGATE LIABILITY WITH RESPECT TO A DEFECTIVE PRODUCT AND THIS CONTRACT SHALL BE LIMITED TO AN AMOUNT EQUAL TO THE MONIES PAID TO THE COMPANY FOR THAT DEFECTIVE PRODUCT.

Some states do not allow the exclusion or limitation of incidental or consequential damages, so the above limitation or exclusion may not apply to you.

HOW DOES STATE LAW APPLY?

This warranty gives you specific legal rights, and you may also have other rights which vary from state to state.

Restrictions Apply

Additional Technical Documentation

Please visit the product page at www.chicagofaucets.com for additional instructions in French and Spanish languages.

2100 South Clearwater Drive

Des Plaines, IL 60018

P: 847/803-5000

F: 847/803-5454

Technical: 800/TEC-TRUE

www.chicagofaucets.com