

# ACCESSORIES AND PARTS

## 131-CNF



### Product Type

Thermostatic Mixing Valve

### Features & Specifications

- Standard 3/8 Compression Inlets and Outlets
- Integral inlet check valves to protect against cross-flow
- Adjustment cap with locking feature
- Brass Body Construction, Includes wall bracket
- Corrosion resistant internal components
- Thermostatic Wax Element Design
- Thermostat controls both hot and cold water
- Installs between the stop valves and the faucet for Single or multiple faucet installations
- Minimum supply pressure: 30psi (207 kPa); Hot inlet temperature: 100°F-180°F (38°C-82°)
- Outlet water temperature will be less than hot water inlet temperature
- 3/8" compression tee inlet connection for cold water bypass feature
- 3/8" compression angle outlet connection for convenient hot water hook-up
- Minimum Flow Rate: 0.5 gpm (@ min. 10 psi)
- Maximum Flow Rate: 6.4 gpm (@ min. 120 psi)
- Temperature Out: 80°F to 120°F (27°C to 49°C)

### Warranty

- Lifetime Limited Faucet Warranty
- 1-Year Limited Cartridge Warranty
- 1-Year Limited Finish Warranty
- 1-Year Manufacturing Material Defects Warranty

### Codes & Standards

- CSA B125.3
- Certified to NSF/ANSI 61, Section 9 by CSA
- ASSE 1070/ASME A112.1070/CSA B125.70

Job Name \_\_\_\_\_

Item Number \_\_\_\_\_

Section/Tag \_\_\_\_\_

Model Specified \_\_\_\_\_

Architect \_\_\_\_\_

Engineer \_\_\_\_\_

Contractor \_\_\_\_\_

Submitted as Shown       Submitted with Variations

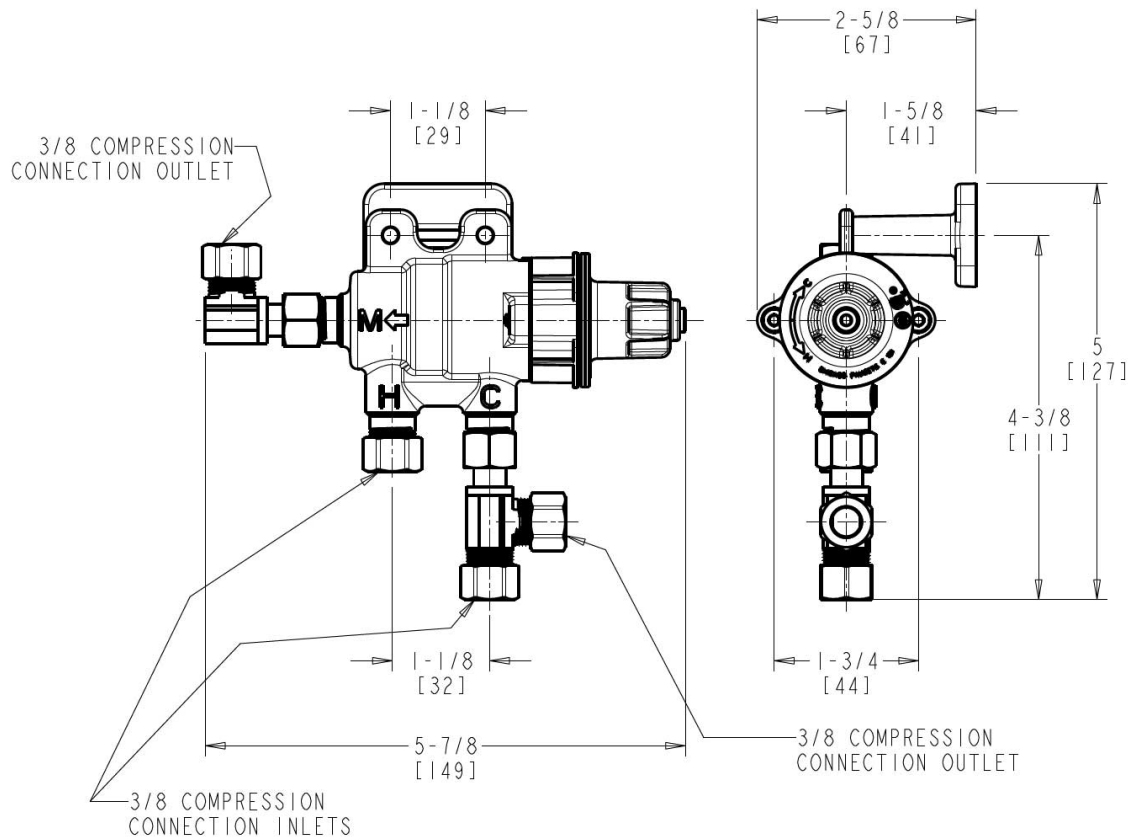
Date \_\_\_\_\_



2100 South Clearwater Drive  
Des Plaines, IL  
P: 847/803-5000  
F: 847/803-5454  
Technical: 800/TEC-TRUE  
www.chicagofaucets.com

## Architect/Engineer Specification

Chicago Faucets No. 131-CNF, Thermostatic Mixing Valve. Standard 3/8 compression inlets and outlets. Integral inlet check valves to protect against cross-flow. Adjustment cap with locking feature. Brass Body Construction, Includes wall bracket. Corrosion resistant internal components. Thermostatic wax element design. Thermostat controls both hot and cold water. Installs between the stop valves and the faucet for single or multiple faucet installations. Minimum supply pressure: 30psi (207 kPa); Hot inlet temperature: 100 $\frac{1}{2}$ F-180 $\frac{1}{2}$ F (38 $\frac{1}{2}$ C-82 $\frac{1}{2}$ C). Outlet water temperature will be less than hot water inlet temperature. 3/8 compression tee inlet connection for cold water bypass feature. 3/8 compression angle outlet connection for convenient hot water hook-up. Minimum flow rate: 0.5 gpm (@ min. 10 psi). Maximum flow rate: 6.4 gpm (@ min. 120 psi). Temperature out: 80 $\frac{1}{2}$ F to 120 $\frac{1}{2}$ F (27 $\frac{1}{2}$ C to 49 $\frac{1}{2}$ C).



## Operation and Maintenance

Installation should be in accordance with local plumbing codes. Flush all pipes thoroughly before installation. After installation, remove spout outlet or flow control and flush faucet thoroughly to clear any debris. Care should be taken when cleaning the product. Do not use abrasive cleaners, chemicals or solvents as they can result in surface damage. Use mild soap and warm water for cleaning and protecting the life of Chicago Faucet products. For specific operation and maintenance refer to the installation instructions and repair parts documents that are located at [www.chicagofaucets.com](http://www.chicagofaucets.com).

Chicago Faucets, member of the Geberit Group, is the leading brand of commercial faucets and fittings in the United States, offering a complete range of products for schools, laboratories, hospitals, office buildings, food service, airports and sport facilities. Call 1.800.TECTRUE or 1.847.803.5000 Option 1 for installation or other technical assistance.

