

ACCESSORIES AND PARTS

1313-BAF



Product Type

Electrical Outlet Box

Features & Specifications

- 3/4" NPSM Male Mounting Shank Assembly
- Mounting Shank Nut with Lock Screw
- Electrical Grounding Screw at Bottom of Box
- For 120 Volt Service
- Aluminum Construction
- Brushed Aluminum Finish

Job Name _____

Item Number _____

Section/Tag _____

Model Specified _____

Architect _____

Engineer _____

Contractor _____

Submitted as Shown

Submitted with Variations

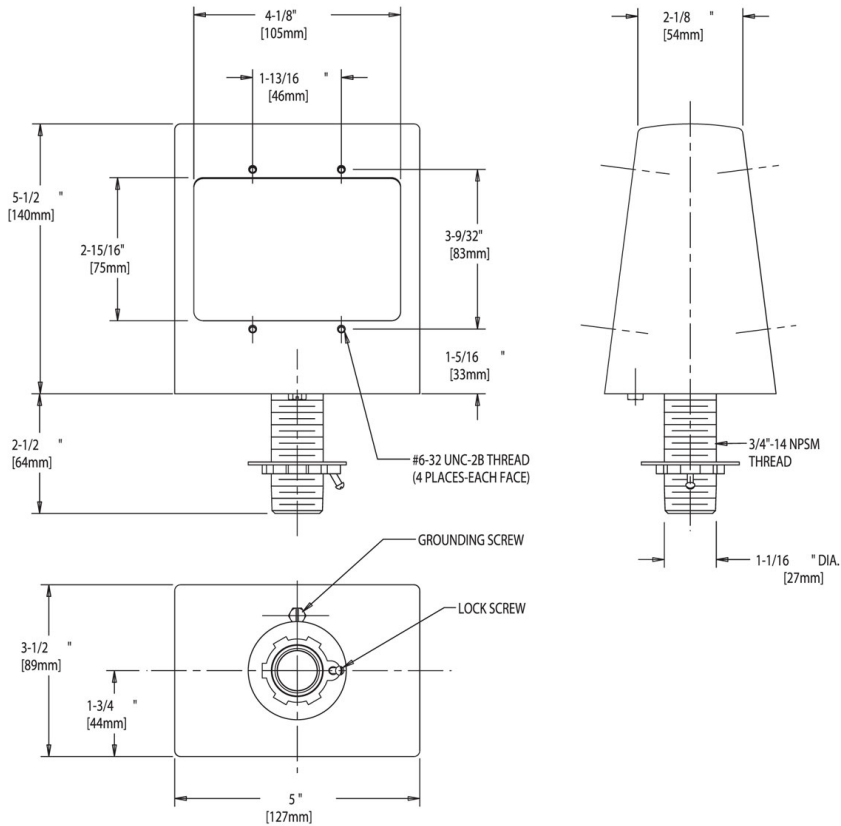
Date _____



2100 South Clearwater Drive
Des Plaines, IL
P: 847/803-5000
F: 847/803-5454
Technical: 800/TEC-TRUE
www.chicagofaucets.com

Architect/Engineer Specification

Chicago Faucets No. 1313-BAF, Double Gang, Double Face Electrical Outlet Box. 3/4 NPSM male mounting shank assembly, mounting shank nut with lock screw, electrical grounding screw at bottom of box, Aluminum Construction, Brushed Aluminum Finish. For 120 volt service.



Operation and Maintenance

Installation should be in accordance with local plumbing codes. Flush all pipes thoroughly before installation. After installation, remove spout outlet or flow control and flush faucet thoroughly to clear any debris. Care should be taken when cleaning the product. Do not use abrasive cleaners, chemicals or solvents as they can result in surface damage. Use mild soap and warm water for cleaning and protecting the life of Chicago Faucet products. For specific operation and maintenance refer to the installation instructions and repair parts documents that are located at www.chicagofaucets.com.

Chicago Faucets, member of the Geberit Group, is the leading brand of commercial faucets and fittings in the United States, offering a complete range of products for schools, laboratories, hospitals, office buildings, food service, airports and sport facilities. Call 1.800.TECTRUE or 1.847.803.5000 Option 1 for installation or other technical assistance.



2100 South Clearwater Drive
Des Plaines, IL
P: 847/803-5000
F: 847/803-5454
Technical: 800/TEC-TRUE
www.chicagofaucets.com