

MECHANICAL FAUCETS

1332-E22E7-204CP

Multiple Service Fixtures



Product Type

Deck Mounted Multiple Service Valves Combination Double Service Fixture

Features & Specifications

- Multiple Service Valves
- Full Flow Nozzle
- Secondary Control Valve
 - Full Flow
 - 2-1/2" Vandal Proof Cross
 - Slow Compression
- Two 3/8" NPT Male Thread Inlet Shank Assemblies
- May Be Used with Most Laboratory Gases
- Dual Check Vacuum Breakers for Laboratory Faucets are used for noncontinuous pressure, health hazard, applications and are backsiphonage backflow preventers. This series is specially made for laboratory faucets where portable hoses can be attached and prevent the flow of contaminated water back into the potable water supply. These vacuum breakers can be installed on new or existing faucets without plumbing changes.
- 909 Valve is Certified for Gas Service per ANSI Z21.15b-2006/CSA 9.1b-2006 by the Canadian Standards Association

Performance Specification

- Rated Operating Pressure: 0-0.5 PSI
- Rated Operating Temperature: 40-140 °F

Warranty

- Lifetime Limited Faucet Warranty
- 5-Year Limited Cartridge Warranty
- 1-Year Limited Finish Warranty

Job Name _____

Item Number _____

Section/Tag _____

Model Specified _____

Architect _____

Engineer _____

Contractor _____

Submitted as Shown Submitted with Variations

Date _____



2100 South Clearwater Drive
Des Plaines, IL
P: 847/803-5000
F: 847/803-5454
Technical: 800/TEC-TRUE
www.chicagofaucets.com

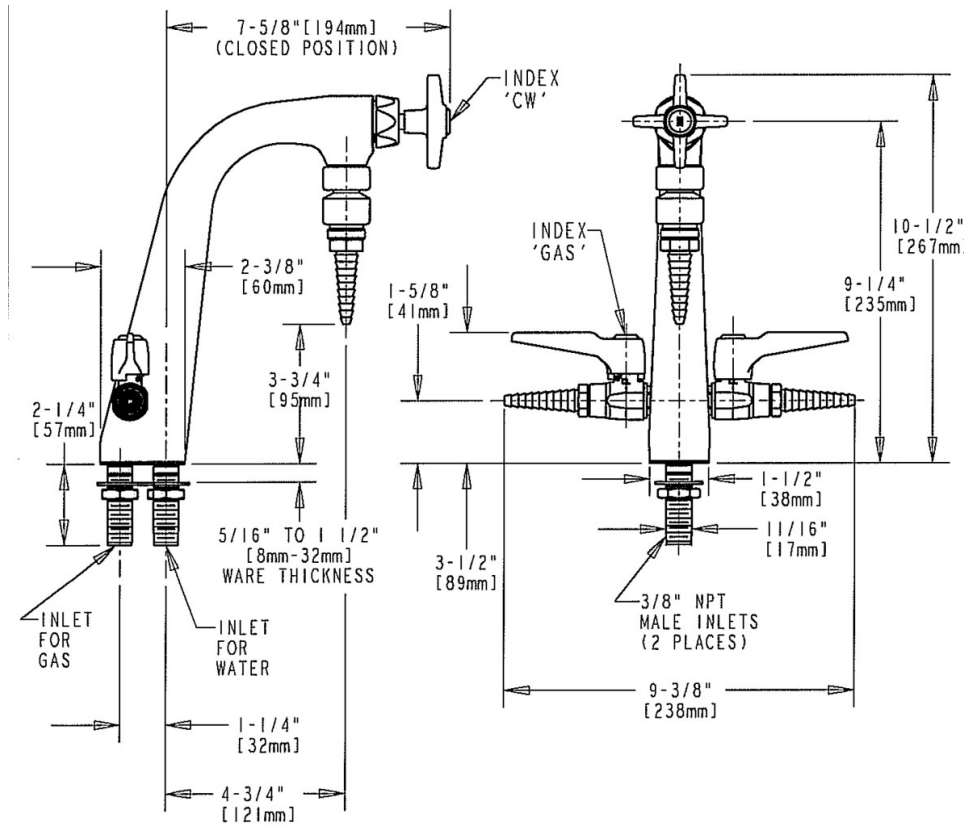
1332-E22E7-204CP

Multiple Service Fixtures



Architect/Engineer Specification

Chicago Faucets No. 1332-E22E7-204CP, Multiple Service Valve, combination double service, chrome plated. Deck mounted. Serrated, full-flow laboratory nozzle. Two 3/8" NPT male thread inlet shank assemblies. May be used with most laboratory gases. Dual-check vacuum breakers for laboratory faucets are used for non-continuous pressure, health hazard applications and are backsiphonage, backflow preventers. This series is specially made for laboratory faucets where portable hoses can be attached and prevent the flow of contaminated water back into the potable water supply. These vacuum breakers can be installed on new or existing faucets without plumbing changes. 909 Valve is Certified for Gas Service per ANSI Z21.15b-2006/CSA 9.1b-2006 by the Canadian Standards Association. Mounting hardware included. Secondary control valve: serrated, full-flow laboratory nozzle with backflow preventer. 2-1/2" metal, vandal-proof, cross handle with eight-point, tapered broach and button indexed "CW". Slow compression rebuildable cartridge, opens and closes 360° for fine adjustment, closes with water pressure, features square, tapered stem.



Operation and Maintenance

Installation should be in accordance with local plumbing codes. Flush all pipes thoroughly before installation. After installation, remove spout outlet or flow control and flush faucet thoroughly to clear any debris. Care should be taken when cleaning the product. Do not use abrasive cleaners, chemicals or solvents as they can result in surface damage. Use mild soap and warm water for cleaning and protecting the life of Chicago Faucet products. For specific operation and maintenance refer to the installation instructions and repair parts documents that are located at www.chicagofaucets.com.

Chicago Faucets, member of the Geberit Group, is the leading brand of commercial faucets and fittings in the United States, offering a complete range of products for schools, laboratories, hospitals, office buildings, food service, airports and sport facilities. Call 1.800.TECTRUE or 1.847.803.5000 Option 1 for installation or other technical assistance.



2100 South Clearwater Drive
Des Plaines, IL
P: 847/803-5000
F: 847/803-5454
Technical: 800/TEC-TRUE
www.chicagofaucets.com