

CHICAGO FAUCETS 

a Geberit company

2100 South Clearwater Drive
Des Plaines, IL 60018
Phone: 847-803-5000
Fax: 847-803-5454
www.chicagofaucets.com

FOR TECHNICAL ASSISTANCE
1-800-TEC-TRUE (1-800-832-8783)

REPAIR PARTS

BY: SID DATE: 06-08-15

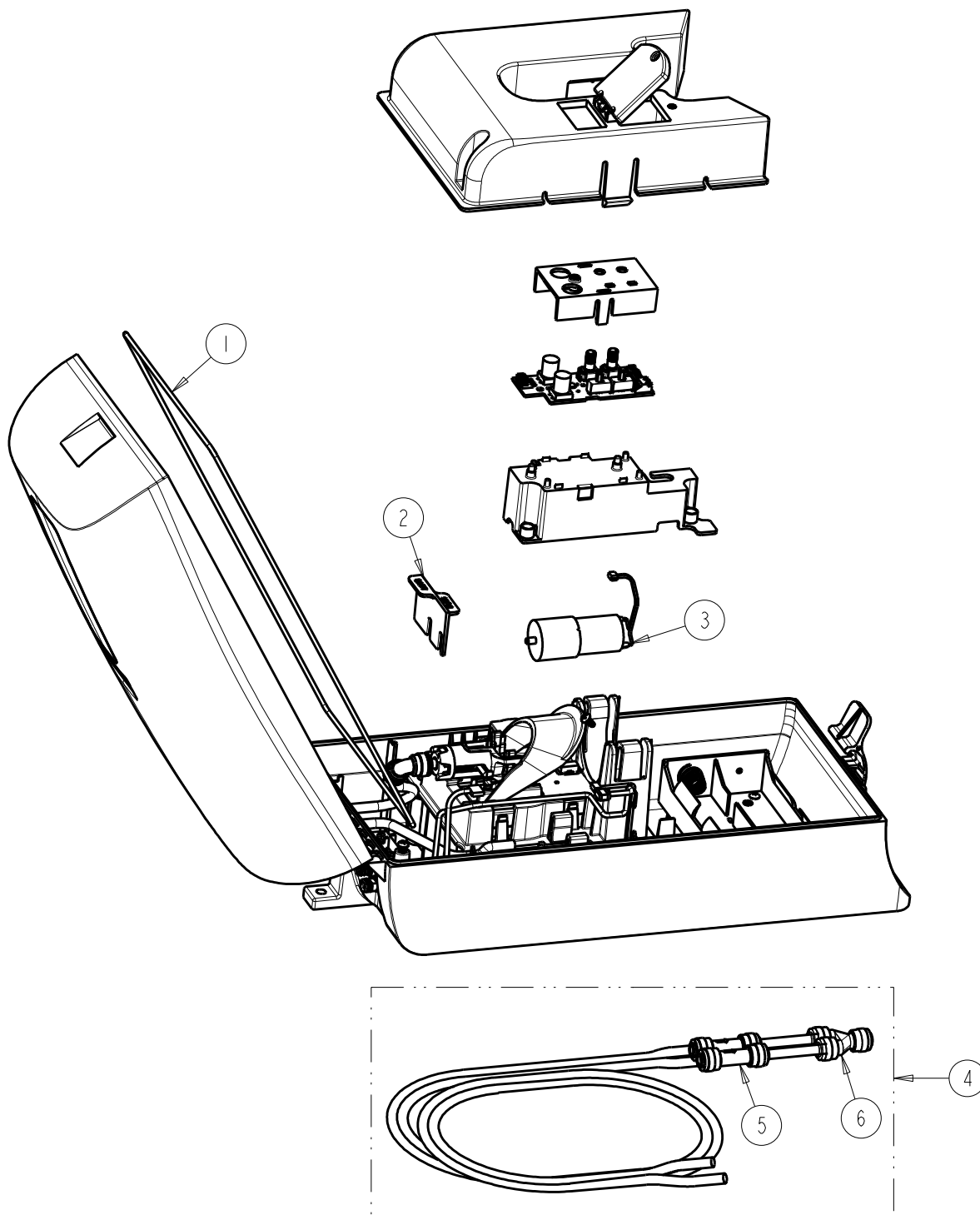
CHK: *AR* REV:

FITTING NO.

243.182.00.1

SUBMITTED MODEL NO.

ITEM NO.



ITEM	PART NO.	DESCRIPTION
1	243.311.00.1	GASKET, ENCLOSURE DOOR
2	243.310.00.1	CLIP, HOUSING CONNECTOR
3	243.185.00.1	AIR PUMP, 6V
4	243.189.AB.1	TUBING ASSY. (TUBING, CV & WYE)
5	243.186.AB.1	CHECK VALVE, 1/4" CONNECT
6	243.187.AB.1	FITTING, WYE, 1/4" PUSH CONNECT