

ACCESSORIES AND PARTS

243.260.00.1



Product Type

Transformer Hard-wire - Multi-use

Features & Specifications

- Transformer type - Class 2
- Single- or multi-use capability (up to eight faucets)
- Connection - hard-wire primary and secondary
- Primary - black and white leads, 10" length
- Primary and secondary ends stripped and tinned
- Primary input voltage 120 VAC @ 60 Hz
- Secondary - yellow and yellow/white leads, 12" length
- Secondary output voltage 12 VAC
- Output current - 400 mA
- UL listed
- RoHS compliant
- 242.340.00.1 connecting wire not included (order separately)
- Hard-wired with standard 4" mounting plate
- CFNow! Item Ships in 3 Days

Warranty

- 1-Year Manufacturing Material Defects Warranty

Job Name _____

Item Number _____

Section/Tag _____

Model Specified _____

Architect _____

Engineer _____

Contractor _____

Submitted as Shown Submitted with Variations

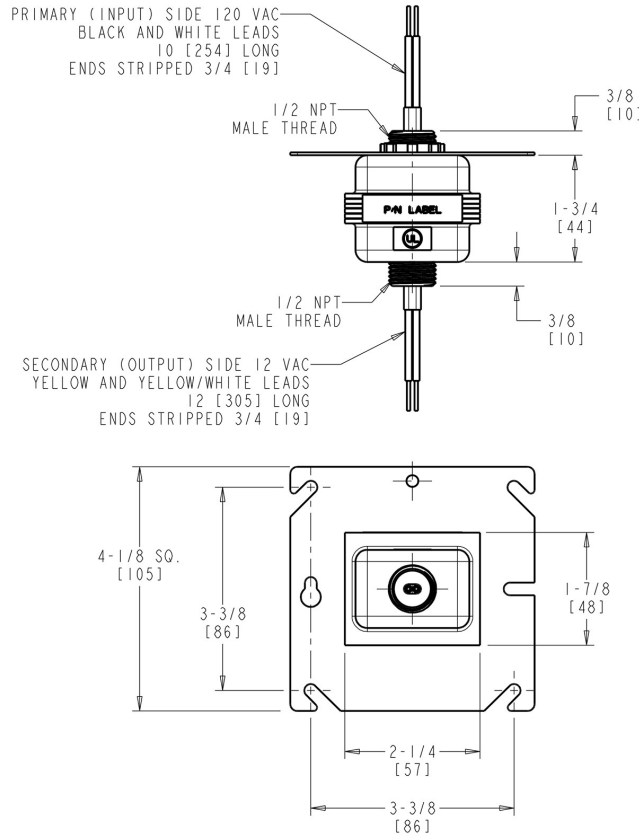
Date _____



2100 South Clearwater Drive
Des Plaines, IL
P: 847/803-5000
F: 847/803-5454
Technical: 800/TEC-TRUE
www.chicagofaucets.com

Architect/Engineer Specification

Chicago Faucets No. 243.260.00.1, Hard-wire Transformer, multi-use. Transformer Type - Class 2. Single-use or multi-use capability (up to 8 faucets). Connection: hard-wire primary and secondary. Primary and secondary ends stripped and tinned. Primary: black and white leads, 10 length. Secondary: yellow and yellow/white leads, 12 length. Output current - 400 mA. UL listed. RoHS compliant. 242.340.00.1 connecting wire not included (order separately). Hard-wired with standard 4 mounting plate.



Operation and Maintenance

Installation should be in accordance with local plumbing codes. Flush all pipes thoroughly before installation. After installation, remove spout outlet or flow control and flush faucet thoroughly to clear any debris. Care should be taken when cleaning the product. Do not use abrasive cleaners, chemicals or solvents as they can result in surface damage. Use mild soap and warm water for cleaning and protecting the life of Chicago Faucet products. For specific operation and maintenance refer to the installation instructions and repair parts documents that are located at www.chicagofaucets.com.

Chicago Faucets, member of the Geberit Group, is the leading brand of commercial faucets and fittings in the United States, offering a complete range of products for schools, laboratories, hospitals, office buildings, food service, airports and sport facilities. Call 1.800.TECTRUE or 1.847.803.5000 Option 1 for installation or other technical assistance.

