

# MECHANICAL FAUCETS

## 2502-600CP

### Tub and Showers



a Geberit company

#### Product Type

Wall Mounted TempShield Thermostatic/Pressure Balancing TempShield Thermostatic Pressure Balancing Shower Valve with Shower Head

#### Features & Specifications

- TempShield Thermostatic/Pressure Balancing
- 2.5 GPM Max. Flow Rate @ 80 PSI Shower Head
- TempShield Volume and Temperature Control
- 1/2" NPT Male Thread Valve Body Inlets
- 1/2" NPT Female Thread Valve Body Outlet
- Includes Showerhead Arm and Wall Flange
- TempShield Thermostatic/Pressure Balancing Valve
- Built-in Integral Check Stops

#### Performance Specification

- Rated Operating Pressure: 20-125 PSI
- Rated Operating Temperature: 40-140°F

#### Warranty

- Lifetime Limited Faucet Warranty
- 5-Year Limited Cartridge Warranty
- 1-Year Limited Finish Warranty

#### Codes & Standards

- ASME A112.18.1/CSA B125.1
- ASSE 1016
- ADA ANSI/ICC A117.1

Job Name \_\_\_\_\_

Item Number \_\_\_\_\_

Section/Tag \_\_\_\_\_

Model Specified \_\_\_\_\_

Architect \_\_\_\_\_

Engineer \_\_\_\_\_

Contractor \_\_\_\_\_

Submitted as Shown

Submitted with Variations

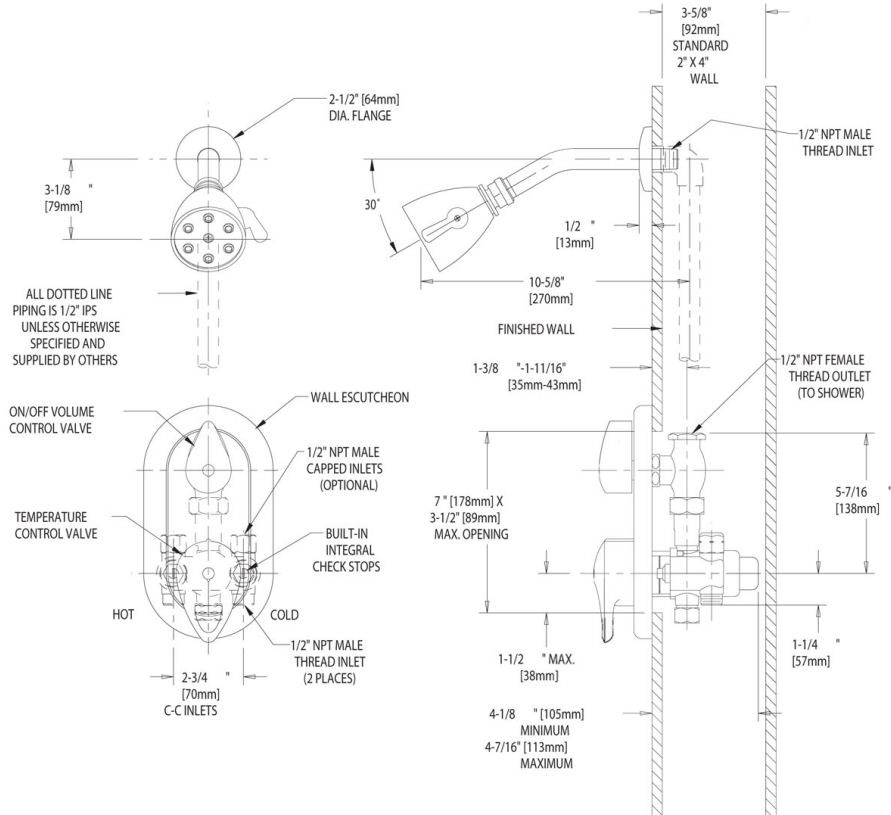
Date \_\_\_\_\_



2100 South Clearwater Drive  
Des Plaines, IL  
P: 847/803-5000  
F: 847/803-5454  
Technical: 800/TEC-TRUE  
www.chicagofaucets.com

### Architect/Engineer Specification

Chicago Faucets No. 2502-600CP, TempShield Tub and Shower Valve, thermostatic/pressure balancing, wall-mounted, with shower head. Chrome plated trim. Shower head, 2.5 GPM max. flow rate @ 80 PSI. 1/2" NPT male thread valve body inlets. 1/2" NPT female thread valve body outlet. Shower head includes arm and wall flange. Built-in integral check stops. This product meets ADA ANSI/ICC A117.1 requirements and is tested and certified to industry standards: ASME A112.18.1/CSA B125.1, and ASSE 1016.



### Operation and Maintenance

Installation should be in accordance with local plumbing codes. Flush all pipes thoroughly before installation. After installation, remove spout outlet or flow control and flush faucet thoroughly to clear any debris. Care should be taken when cleaning the product. Do not use abrasive cleaners, chemicals or solvents as they can result in surface damage. Use mild soap and warm water for cleaning and protecting the life of Chicago Faucet products. For specific operation and maintenance refer to the installation instructions and repair parts documents that are located at [www.chicagofaucets.com](http://www.chicagofaucets.com).

Chicago Faucets, member of the Geberit Group, is the leading brand of commercial faucets and fittings in the United States, offering a complete range of products for schools, laboratories, hospitals, office buildings, food service, airports and sport facilities. Call 1.800.TECTRUE or 1.847.803.5000 Option 1 for installation or other technical assistance.

