

# MECHANICAL FAUCETS

## 430-MPABCP

### Manual Faucets



#### Product Type

Deck Mounted Single Hole Single Lever Hot and Cold Water Mixing Sink Faucet

#### Features & Specifications

- Single Hole
- 1.5 GPM (5.7 L/min) Non-Aerating Outlet
- 1/2" NPSM Supply Inlets for 3/8" or 1/2" Flexible Riser
- User Adjustable Temperature Control Mixer
- Temperature Limiter
- Master Pack Quantity of 6
- 9 1/2" Center to Center Integral Brass Spout
- ECAST® design provides durable construction with total lead content equal to or less than 0.25% by weighted average
- CFNow! Item Ships in 3 Days

#### Performance Specification

- Rated Operating Pressure: 20-125 PSI
- Rated Operating Temperature: 40-140°F

#### Warranty

- 5-Year Limited Faucet Warranty
- 5-Year Limited Cartridge Warranty
- 1-Year Limited Finish Warranty

#### Codes & Standards

- Certified to NSF/ANSI 61, Section 9 by CSA
- ADA ANSI/ICC A117.1
- CALGreen

Job Name \_\_\_\_\_

Item Number \_\_\_\_\_

Section/Tag \_\_\_\_\_

Model Specified \_\_\_\_\_

Architect \_\_\_\_\_

Engineer \_\_\_\_\_

Contractor \_\_\_\_\_

Submitted as Shown       Submitted with Variations

Date \_\_\_\_\_



**ECAST**

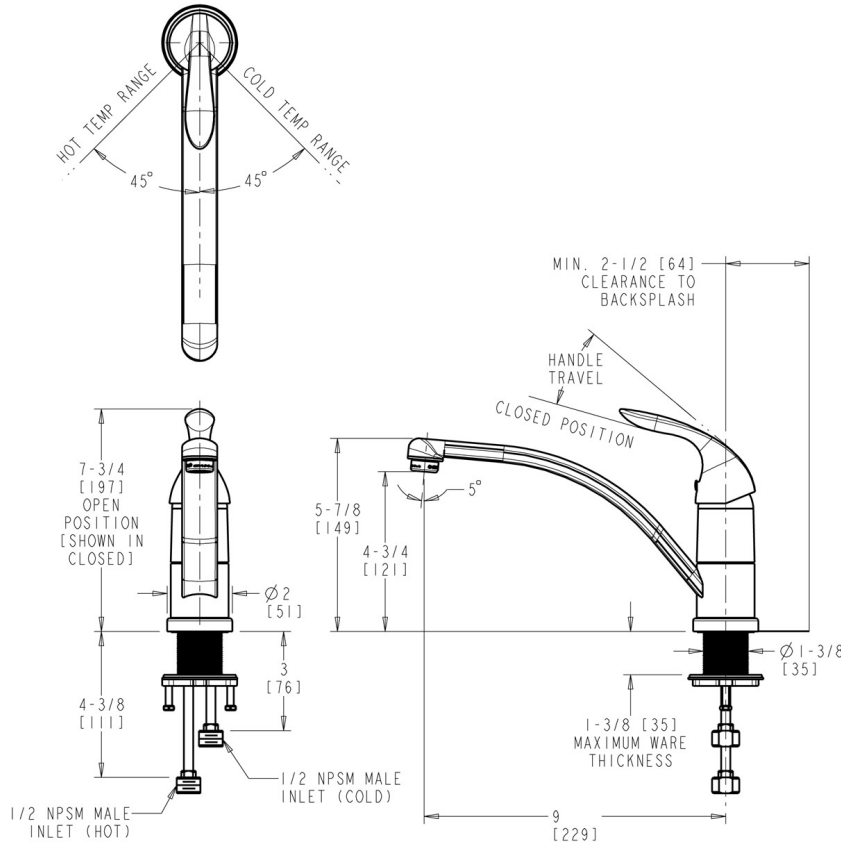
ECAST products are intended for installation where state laws and local codes mandate lead content levels or in any location where lead content is a concern.



2100 South Clearwater Drive  
Des Plaines, IL  
P: 847/803-5000  
F: 847/803-5454  
Technical: 800/TEC-TRUE  
www.chicagofaucets.com

### Architect/Engineer Specification

Chicago Faucets No. 430-MPABCP, Sink Faucet for hot and cold water, single lever, single-hole deck mount, chrome plated. Master Pack of 6. Integral, brass spout, 9-1/2" center-to-center. 1.5 GPM (5.7 L/min) pressure compensating, non-aerating, laminar outlet. Ceramic quarter-turn cartridge, features square, tapered stem. 1/2" NPSM supply inlets for 3/8" or 1/2" flexible riser. User-adjustable temperature control mixer. Includes temperature limiter. ECASTi 1/2 construction with less than 0.25% lead content by weighted average. CALGreen compliant. This product meets ADA ANSI/ICC A117.1 requirements and is tested and certified to industry standards: Certified to NSF/ANSI 61, Section 9 by CSA, and California Green Building Standards Code (CALGreen).



### Operation and Maintenance

Installation should be in accordance with local plumbing codes. Flush all pipes thoroughly before installation. After installation, remove spout outlet or flow control and flush faucet thoroughly to clear any debris. Care should be taken when cleaning the product. Do not use abrasive cleaners, chemicals or solvents as they can result in surface damage. Use mild soap and warm water for cleaning and protecting the life of Chicago Faucet products. For specific operation and maintenance refer to the installation instructions and repair parts documents that are located at [www.chicagofaucets.com](http://www.chicagofaucets.com).

Chicago Faucets, member of the Geberit Group, is the leading brand of commercial faucets and fittings in the United States, offering a complete range of products for schools, laboratories, hospitals, office buildings, food service, airports and sport facilities. Call 1.800.TECTRUE or 1.847.803.5000 Option 1 for installation or other technical assistance.

