

MECHANICAL FAUCETS

700-PRABCP

Manual Faucets



Product Type

Deck Mounted Single Hole Two Single Supply Hot and Cold Water Sink Faucets

Features & Specifications

- Single Hole
- 2.2 GPM (8.3 L/min) Aerator
- 3" Cross
- Quatern
- 1/2" NPSM Supply Inlets and Coupling Nuts for 3/8" or 1/2" Flexible Risers
- 3-3/8" Center-to-Center Integral Cast Brass Spouts
- ECAST® design provides durable construction with total lead content equal to or less than 0.25% by weighted average

Performance Specification

- Rated Operating Pressure: 20-125 PSI
- Rated Operating Temperature: 40-140°F

Warranty

- Lifetime Limited Faucet Warranty
- 5-Year Limited Cartridge Warranty
- 1-Year Limited Finish Warranty

Codes & Standards

- ASME A112.18.1/CSA B125.1
- Certified to NSF/ANSI 61, Section 9 by CSA

Job Name _____

Item Number _____

Section/Tag _____

Model Specified _____

Architect _____

Engineer _____

Contractor _____

Submitted as Shown Submitted with Variations

Date _____



ECAST

ECAST products are intended for installation where state laws and local codes mandate lead content levels or in any location where lead content is a concern.



2100 South Clearwater Drive
Des Plaines, IL
P: 847/803-5000
F: 847/803-5454
Technical: 800/TEC-TRUE
www.chicagofaucets.com

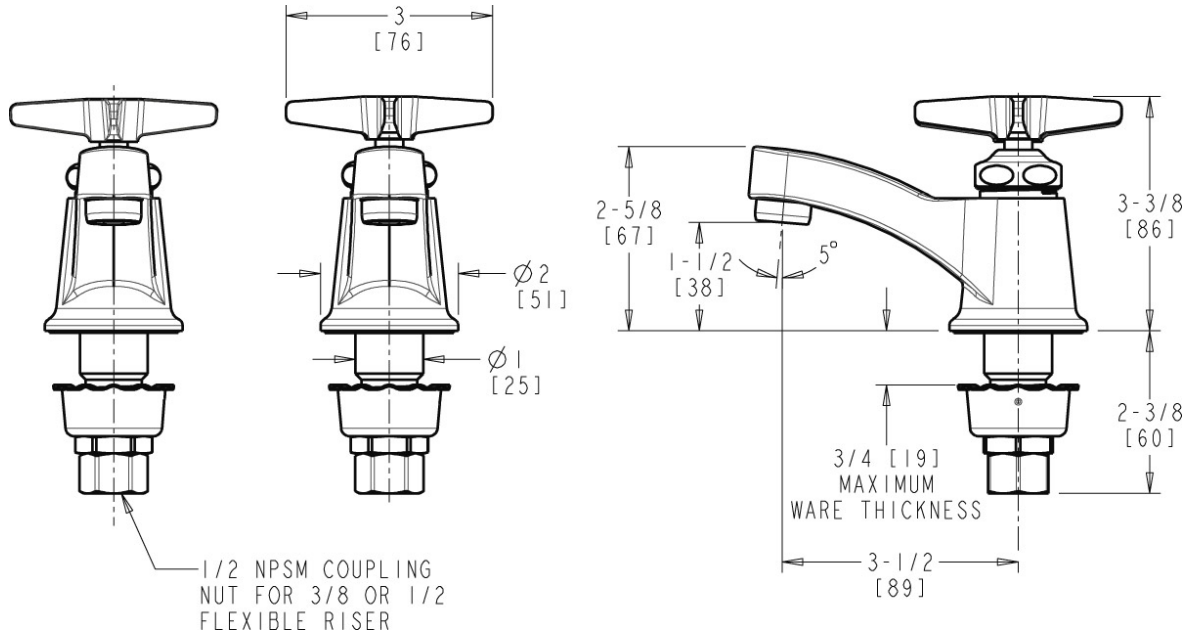
700-PRABCP

Manual Faucets



Architect/Engineer Specification

Chicago Faucets No. 700-PRABCP, Sink Faucets with single supplies, one pair for hot and cold water, single-hole deck mount, chrome plated. Integral, cast brass spouts, 3-3/8" center-to-center. 2.2 GPM (8.3 L/min) pressure compensating Softflo aerators. 3" metal cross handles with eight-point, tapered broach and secured blue and red index buttons. Quatum™ rebuildable compression cartridges, open and close 90°, close with water pressure, feature square, tapered stem. 1/2" NPSM supply inlets and coupling nut for 3/8" or 1/2" flexible riser. ECAST® construction with less than 0.25% lead content by weighted average. This product is tested and certified to industry standards: ASME A112.18.1/CSA B125.1, and Certified to NSF/ANSI 61, Section 9 by CSA.



Operation and Maintenance

Installation should be in accordance with local plumbing codes. Flush all pipes thoroughly before installation. After installation, remove spout outlet or flow control and flush faucet thoroughly to clear any debris. Care should be taken when cleaning the product. Do not use abrasive cleaners, chemicals or solvents as they can result in surface damage. Use mild soap and warm water for cleaning and protecting the life of Chicago Faucet products. For specific operation and maintenance refer to the installation instructions and repair parts documents that are located at www.chicagofaucets.com.

Chicago Faucets, member of the Geberit Group, is the leading brand of commercial faucets and fittings in the United States, offering a complete range of products for schools, laboratories, hospitals, office buildings, food service, airports and sport facilities. Call 1.800.TECTRUE or 1.847.803.5000 Option 1 for installation or other technical assistance.



2100 South Clearwater Drive
Des Plaines, IL
P: 847/803-5000
F: 847/803-5454
Technical: 800/TEC-TRUE
www.chicagofaucets.com