

CHICAGO FAUCETS
a Geberit company

2100 South Clearwater Drive
Des Plaines, IL 60018
Phone: 847-803-5000
Fax: 847-803-5454
www.chicagofaucets.com

REPAIR PARTS

FITTING NO.

786-GN2FC665CP

SUBMITTED MODEL NO.

BY: SID

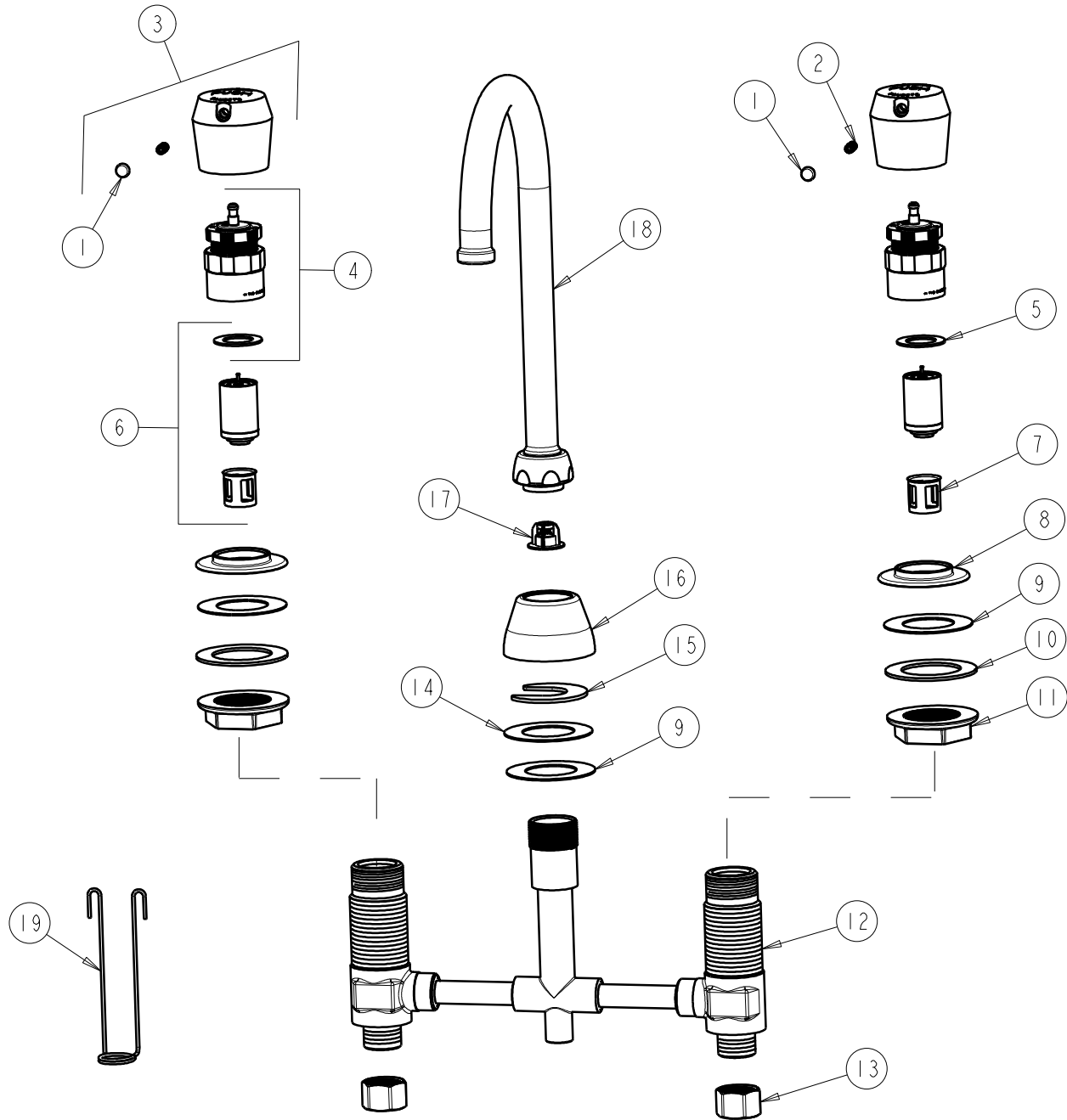
DATE: 11-05-02

CHK: *[Signature]*

REV: 02-18-10

ITEM NO.

FOR TECHNICAL ASSISTANCE
1-800-TEC-TRUE (1-800-832-8783)



ITEM	PART NO.	DESCRIPTION	ITEM	PART NO.	DESCRIPTION
1	665-309JKNF	BUTTONS, HOT AND COLD	11	250-004JKNF	LOCKNUT
2	665-116JKNF	SET SCREW	12	—	VALVE BODY NOT SOLD SEPARATELY
3	665-PSHJKCP	HANDLE, PUSH CAP	13	49-005JKRBF	COUPLING NUT
4	665-190JKKNF	ACTUATOR ASSEMBLY	14	888-006JKRBF	BRASS WASHER
5	665-011JKNF	WASHER, SEALING	15	200-006JKNF	C-WASHER
6	671-XJKNF	METERING VALVE CARTRIDGE	16	785-300JKCP	SPOUT BASE ESCUTCHEON
7	667-402JKNF	MVP FILTER	17	50-043JKKNF	FLOW CONTROL 1.5 GPM
8	408-004JKCP	FLANGE	18	GN2JKCP	GN SPOUT PLAIN END
9	739-056JKNF	RUBBER WASHER	19	200-007JKNF	HANGER
10	55-010JKNF	STEEL WASHER			