

MECHANICAL FAUCETS

830-PVDF

Pure Water Faucets



Product Type

Deck Mounted PVDF PVDF Pure Water Faucet

Features & Specifications

- PVDF
- Inlet x Outlet 3/8" NPT Female Thread
- All virgin natural PTFE wetted fluid path
- Needle valve activation at point of use
- Simplified installation of recirculation module
- All components designed for extreme industrial environments
- FDA, USDA, and USP standards are either met and/or exceeded
- Ultra smooth internal flow path
- Unique heavy wall construction
- Control valve offers easy open / close valve, 120 degree rotation full flow to closed
- PTFE sealed, encapsulated PTFE shut off seal for unlimited life
- Black handle with white marker and black "DI" text per SEFA code recommended practice No. 7 for DI Water Applications
- Control valve is completely renewable by replacing the internal cartridge, per SEFA 7-2010-8.2a
- Positive stop at off position
- Exceptional low torque on/off operation
- Recirculating Laboratory Faucet designed to provide a continual fluid flow to the point of use to eliminate the inherent dead leg.

Performance Specification

- Rated Operating Pressure: 150 PSI

Warranty

- Lifetime Limited Faucet Warranty
- 5-Year Limited Cartridge Warranty
- 1-Year Limited Finish Warranty

Job Name _____

Item Number _____

Section/Tag _____

Model Specified _____

Architect _____

Engineer _____

Contractor _____

Submitted as Shown Submitted with Variations

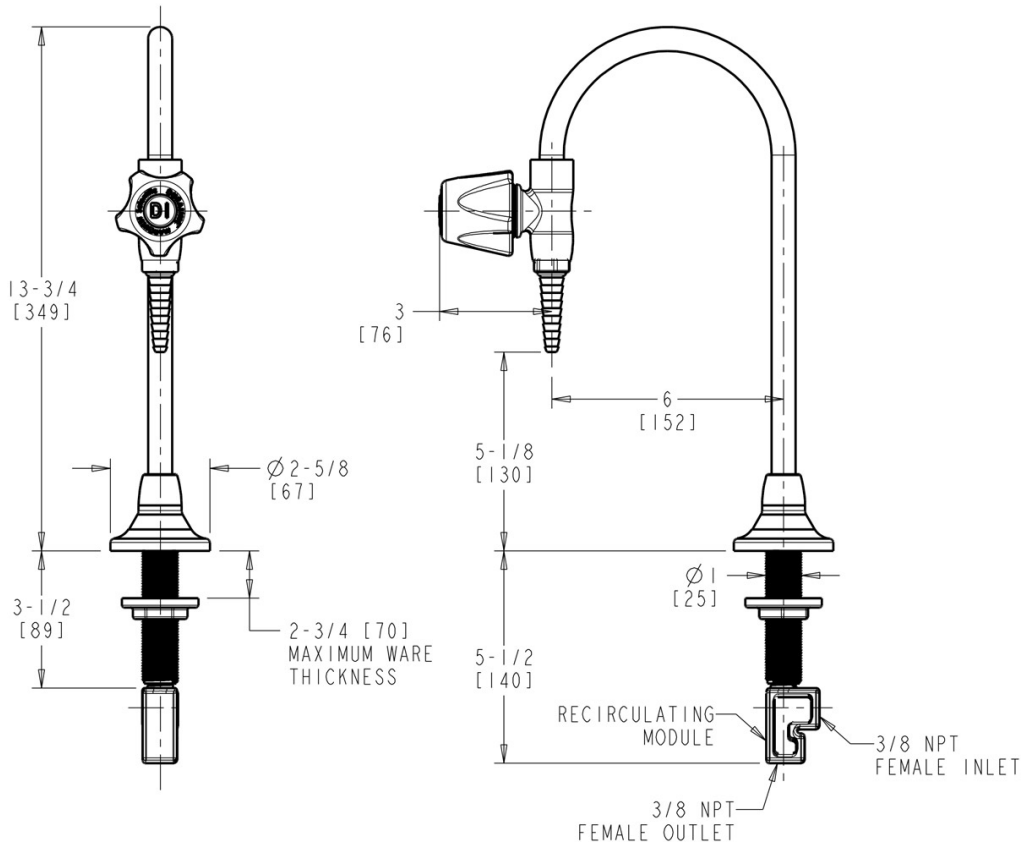
Date _____



2100 South Clearwater Drive
 Des Plaines, IL
 P: 847/803-5000
 F: 847/803-5454
 Technical: 800/TEC-TRUE
 www.chicagofaucets.com

Architect/Engineer Specification

Chicago Faucets No. 830-PVDF, Pure Water Faucet, Polyvinylidene Fluoride (PVDF), deck-mounted. 3/8" NPT female inlet or 1/2" NPSM male thread inlet.



Operation and Maintenance

Installation should be in accordance with local plumbing codes. Flush all pipes thoroughly before installation. After installation, remove spout outlet or flow control and flush faucet thoroughly to clear any debris. Care should be taken when cleaning the product. Do not use abrasive cleaners, chemicals or solvents as they can result in surface damage. Use mild soap and warm water for cleaning and protecting the life of Chicago Faucet products. For specific operation and maintenance refer to the installation instructions and repair parts documents that are located at www.chicagofaucets.com.

Chicago Faucets, member of the Geberit Group, is the leading brand of commercial faucets and fittings in the United States, offering a complete range of products for schools, laboratories, hospitals, office buildings, food service, airports and sport facilities. Call 1.800.TECTRUE or 1.847.803.5000 Option 1 for installation or other technical assistance.

