



a Geberit company

**Installation and maintenance instructions** for Chicago Faucets Models 892-CP, 893-CP, 892-GCP, 892-WXFCP atmospheric vacuum breakers and fittings which incorporate these devices.

**Application**

Atmospheric vacuum breakers are designed to prevent back siphonage of contaminated water into a water supply. Atmospheric vacuum breakers are not recommended for use under continuous pressure and are designed to provide back flow prevention due to back pressure, even though a check valve may be present.

**Installation**

Atmospheric vacuum breakers must be installed between the discharge side of the control valve of the fixture and outlet. For proper operation there must be no shut-off or control valve downstream of the vacuum breaker outlet. Atmospheric vacuum breakers should be located not less than six inches above the flood rim, overflow or highest point of downstream piping and/or hose. Atmospheric vacuum breakers must be located in an area to allow for inspection and can be readily serviced. This device may spill water and should be installed where water spillage is not objectionable or will not cause damage.

**Important**

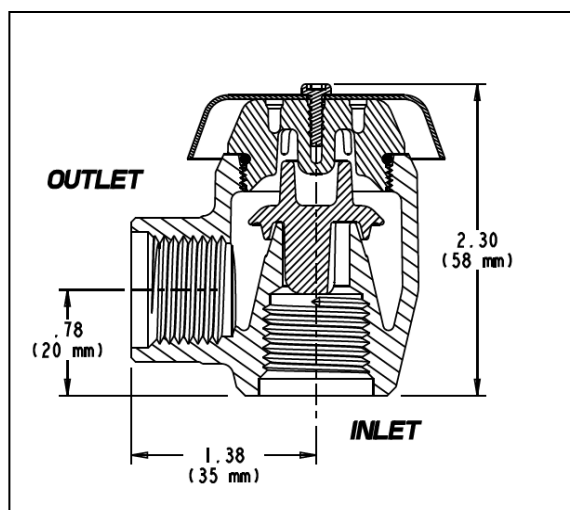
Installation of atmospheric vacuum breakers may be subject to local installation requirements by governing authorities.

**Maintenance**

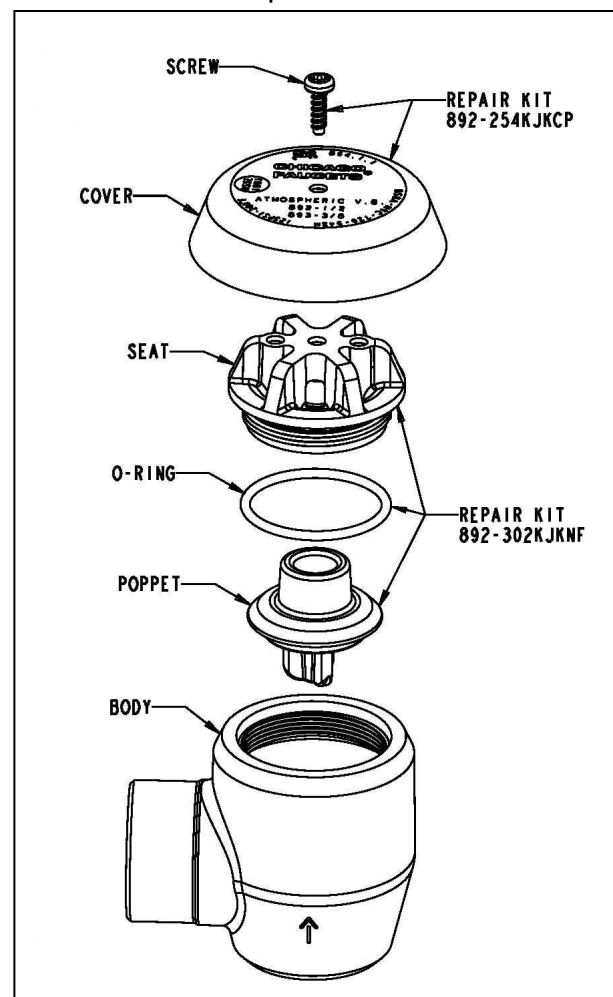
1. Remove cover screw and lift off cover.
2. Turn off supply pressure and observe poppet drop in open-air inlet.
3. If this does not occur or valve has been constantly discharging, replace components.
4. Replace poppet, seat and o-ring (892-302KJKNF).
5. Restore pressure and retest using step 2 and 3.
6. Reassemble cover and screw, then restore pressure.

Note: 892-302KJKNF is compatible with prior designs.

Assembled View



Exploded View



Please refer to [www.chicagofaucets.com](http://www.chicagofaucets.com) for complete warranty information and support documentation.