

MECHANICAL FAUCETS

923-TFWSLCP

Pre-Rinse Fittings



Product Type

Wall Mounted 3-3/8" Body, Adjustable Arms 3" - 8-3/8" Pre-Rinse Fitting

Features & Specifications

- 3-3/8" Body, Adjustable Arms 3" - 8-3/8"
- 0.91 / 0.99 GPM @ 60 PSI Triple Force™ Water Conserving Pre-Rinse Spray Valve
- 2-3/8" Vandal Proof Lever
- Quatern
- 2-1/2" Offset Inlet Supply Arm
- Shank Assembly
- 2 5/16" Diameter Slip Flange
- 23" Riser with Spring Guide
- 44" Flexible Stainless Steel Hose with Insulated Handle
- Pipe Strap and Hook Assembly

Performance Specification

- Rated Operating Pressure: 20-125 PSI
- Rated Operating Temperature: 40-140°F

Warranty

- Lifetime Limited Faucet Warranty
- 5-Year Limited Cartridge Warranty
- 1-Year Limited Finish Warranty

Codes & Standards

- ASME A112.18.1/CSA B125.1
- Certified to NSF/ANSI 61, Section 9 by CSA

Job Name _____

Item Number _____

Section/Tag _____

Model Specified _____

Architect _____

Engineer _____

Contractor _____

Submitted as Shown Submitted with Variations

Date _____



2100 South Clearwater Drive
Des Plaines, IL
P: 847/803-5000
F: 847/803-5454
Technical: 800/TEC-TRUE
www.chicagofaucets.com

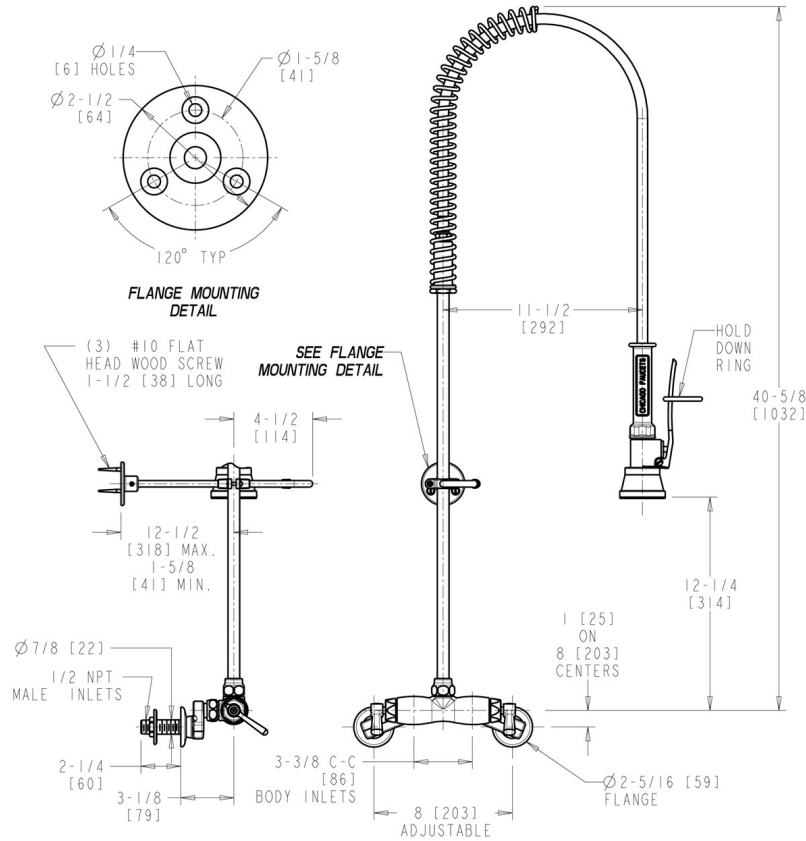
923-TFWSLCP

Pre-Rinse Fittings



Architect/Engineer Specification

Chicago Faucets No. 923-TFWSLCP, Pre-Rinse Fitting, wall-mounted with adjustable arms for 3" - 8-3/8" centers, chrome plated. Water conserving Triple Force™ pre-rinse spray valve, 0.91/0.99 GPM @ 60 PSI. 2-3/8" metal, vandal-proof, lever handles with sixteen-point, tapered broach and secured blue and red index buttons. Quatern™ rebuildable compression cartridge, opens and closes 90°, closes with water pressure, features square, tapered stem. 2-1/2" offset inlet supply arm with 1/2" NPT female thread inlet. Includes shank assembly. 2-5/16" diameter slip flange. 23" riser with spring guide. 44" flexible stainless steel hose with insulated handle. Pipe strap and hook assembly. This product is tested and certified to industry standards: ASME A112.18.1/CSA B125.1, and Certified to NSF/ANSI 61, Section 9 by CSA.



Operation and Maintenance

Installation should be in accordance with local plumbing codes. Flush all pipes thoroughly before installation. After installation, remove spout outlet or flow control and flush faucet thoroughly to clear any debris. Care should be taken when cleaning the product. Do not use abrasive cleaners, chemicals or solvents as they can result in surface damage. Use mild soap and warm water for cleaning and protecting the life of Chicago Faucet products. For specific operation and maintenance refer to the installation instructions and repair parts documents that are located at www.chicagofaucets.com.

Chicago Faucets, member of the Geberit Group, is the leading brand of commercial faucets and fittings in the United States, offering a complete range of products for schools, laboratories, hospitals, office buildings, food service, airports and sport facilities. Call 1.800.TECTRUE or 1.847.803.5000 Option 1 for installation or other technical assistance.



2100 South Clearwater Drive
Des Plaines, IL
P: 847/803-5000
F: 847/803-5454
Technical: 800/TEC-TRUE
www.chicagofaucets.com